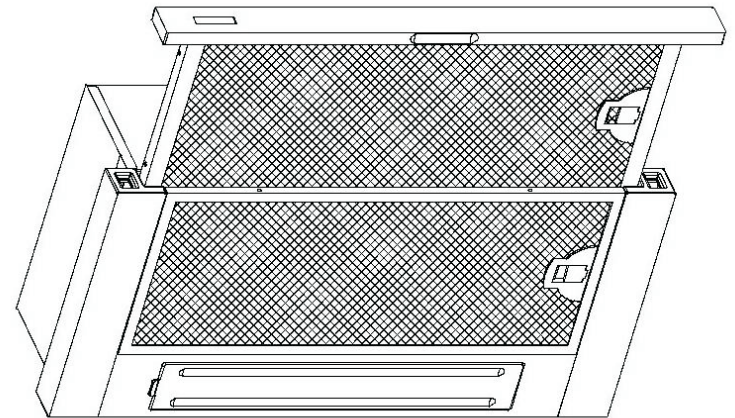


# Slide out Range hood

MODEL NO.:BIRH60SS

## INSTRUCTION MANUAL



◆PLEASE READ THE MANUAL CAREFULLY BEFORE OPERATION.◆



## GENERAL

- A) Carefully read the following important information regarding installation safety and maintenance. Keep this information booklet accessible for further consultations.
- B) The appliance has been designed as a exhausting version (external exhaust) or as a filter version (internal air recycle) cooker hood.

## SAFETY PRECAUTION

- A) Take care when the cooker hood is operating simultaneously with an open fireplace or burner that depend on the air in the environment and are supplied by other than electrical energy, as the cooker hood removes the air from the environment which a burner or fireplace need for combustion.
- B) The negative pressure in the environment must not exceed 4 Pa (4\*10<sup>-5</sup> bar).
- C) Provide adequate ventilation in the environment for a safe operation of the cooker hood.
- D) Follow the local laws applicable for external air evacuation.
- E) Appliance shall only be used with rated voltage and frequency.
- F) There is a fire risk if cleaning is not carried out in accordance with the instruction

## WARNING!!

In certain circumstances electrical appliances may be a danger hazard.

- A) Do not check the status of the filters while the cooker hood is operating
- B) Do not touch the light bulbs after appliance use
- C) Do not disconnect the appliance with wet hands and without to force the supply cord.
- D) Flame cooking is prohibited underneath the cooker hood
- E) Avoid free flame, as it is damaging for the filters and a fire hazard
- F) Constantly check food frying to avoid that the overheated oil may become a fire hazard
- G) Disconnect the electrical plug prior to any maintenance.
- H) Children don't recognize the risks of electrical appliances. Therefore use or keep the appliance only under supervision of adults and out of the reach from children.
- I) This appliance is not intended for use by persons (including children) with reduced physical, sensory or mental capabilities, or lack of experience and knowledge, unless they have been given supervision or instruction concerning use of the appliance by a person responsible for their safety.

## INSTALLATION INSTRUCTIONS

### Electric Connection

The appliance has been manufactured as a class II, therefore no earth cable is necessary.

The connection to the mains is carried out as follows:

BROWN=L line

BLUE=N neutral

If not provided, connect a plug for the electrical load indicated on the description label. Where a plug is provided, the cooker hood must be installed in order that the plug is easily accessible.

An omni polar switch with a minimum aperture of 3 mm between contacts, in line with the electrical load and local standards, must be placed between the appliance and the network in the case of direct connection to the electrical network.

The appliance must be installed at a minimum height of 650mm from a cooker stove.

If a exhaust tube composed of two parts is used, the upper part must be placed outside the lower part. Do not connect the cooker hood exhaust to the same ventilation tube that is used to circulate hot air or for evacuating fumes from other appliances generated by other than an electrical source.

**ATTENTION:** should the lamps not work, make sure they are well tightened.

## OPERATION

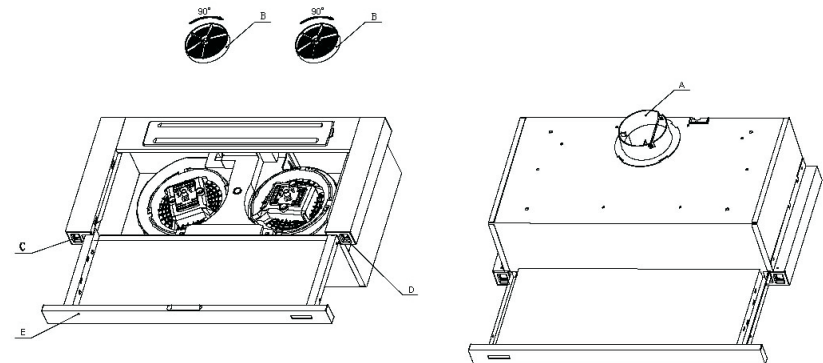
1. Slide out the slide panel (E)
2. Press light button (D) to control the light on/off.
3. Press speed button (C) to control the speed of the motor.
4. Press off the button of the light and motor, and slide in the slide panel (E).

## MOUNTING OF THE HOOD IN THE LOWER PART OF A HANGING CUPBOARD

Drill 4 holes of 4mm diameter at the bottom of the hanging cupboard. Fit the hood in the cabinet with 4 screws, which are appropriate to that kind of cupboard. The appliance is provided with 1 air outlets, which is in the upper part. It is used according to your requirements. A connecting ring (A), which to join the connecting pipe to is supplied.

## CHANGING FROM EXHAUSTING HOOD TO FILTERING ONE

In order to make this change, demand a set of carbon filters to your dealer. Active carbon filters are necessary to clean the air, which will be released in the room. Filters are not washable; they cannot be regenerated and have to be replaced at most every 4 months. The saturation of the activated charcoal depends on the more or less prolonged use of the hood, on the type of cooking and on the regularity of cleaning the grease filter. The filter (B) has to be applied to the aspirating group, which is inside the hood hitting the centre of the group with it and turning it of 90 degrees until the stop click is heard to lock it. Close with the appropriate covers the upper and back air outlets. In this way the hood is ready for the filtering function.



## USE AND MAINTENANCE

It is recommended to operate the appliance prior to cooking.

It is recommended to leave the appliance in operation for 15 minutes after cooking is terminated in order to completely eliminate cooking vapors and odors.

If the appliance is not used, please turn off.

Don't use or stop use if the appliance is damaged especially the supply cord and the case.

If the supply cord is damaged, it must be replaced by the manufacturer, its service agent or similarly qualified persons in order to avoid a hazard.

Don't immerse the appliance in liquid.

The exhaust air must not be discharged into a flue which is used for exhausting fumes from appliance burning gas or other fuels.

Regulations concerning the discharge of air have to be fulfilled.

The proper function of the cooker hood is conditioned by the regularity of the maintenance operations, in particular, the active carbon filter.

.The anti-grease filters capture the grease particles suspended in the air, and are therefore subject to clogging according to the frequency of the use of the appliance.

In order to prevent fire hazard, it is recommendable to clean the filter at a maximum of 2 months by carrying out the following instructions:

-Remove the filters from the cooker hood and wash them in a solution of water and neutral liquid detergent, leaving to soak.

-Rinse thoroughly with warm water and leave to dry.

-The filters may also be washed in the dishwasher.

The aluminum panels may alter in color after several washes. This is not cause for customer complaint nor replacement of panels.

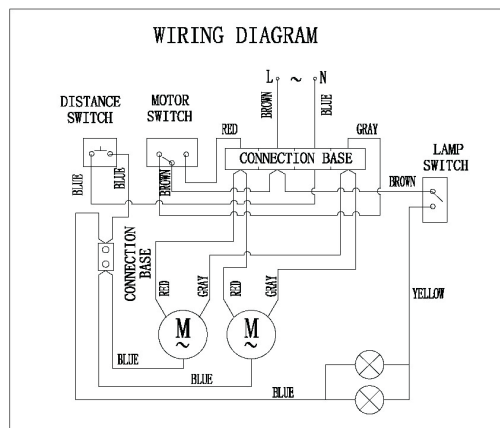
.The active carbon filters purify the air that is replaced in the environment. The filters are not washable nor re-useable and must be replaced at maximum every four months. The saturation of the active carbon filter depends on the frequency of use of the appliance, by the type of cooking and the regularity of cleaning the anti-grease filters.

.Clean the fan and other surfaces of the cooker hood regularly using a cloth moistened with denatured alcohol of non abrasive liquid detergent.

. Before any repair on the cooker hood, detach all plugs.

. Replace filters approximately every 4 months.

## WIRING DIAGRAM



## SPECIFICATION

Model No.:	F240560T
Voltage	220V-240V~ / 50Hz
Rotation method	Twin Motors, Twin Fans
Rated motor input power	120W+120W
Illumination	≤ 25W+25W (normal lamp)
Rated input power	290W
Airflow	440m <sup>3</sup> /hr
Noise	≤ 68dBA
Outlet diameter	Φ 120mm

**THE MANUFACTURER DECLINES ALL RESPONSIBILITY FOR EVENTUAL DAMAGES CAUSED BY BREACHING THE ABOVE WARNINGS.**

