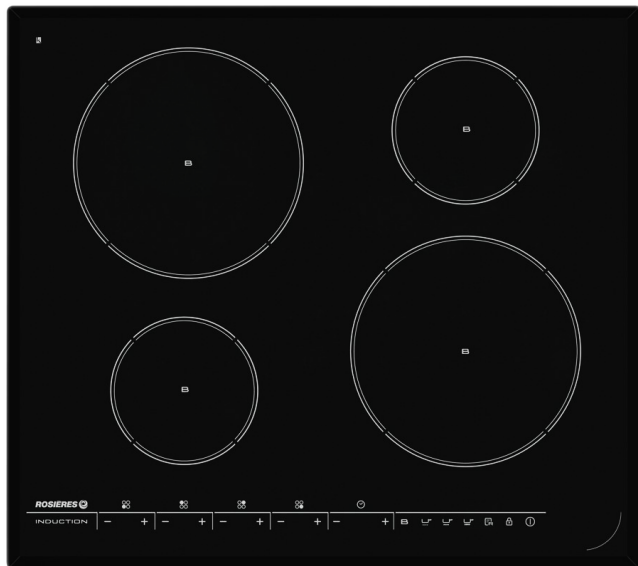
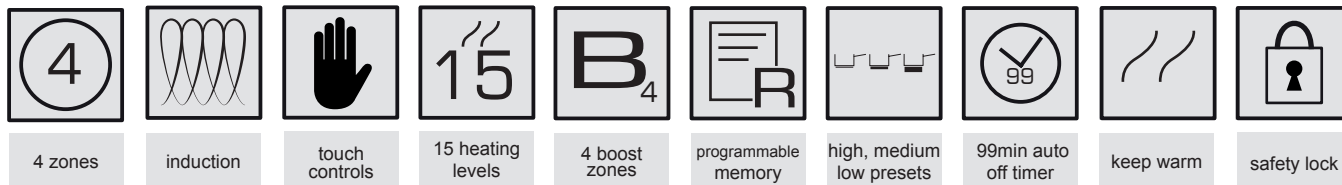


RPI430-AUS

ROSIERES 4 ZONE INDUCTION COOKTOP



Finish	Bevelled Black Ceramic Glass	
Manufactured	France	
Capacity	Back L 220Ø Mm Induction 2300W Boost 3000W	Back R 150Ø Mm Induction 1200W Boost 1500W
	Front L 150Ø Mm Induction 1200W Boost 1500W	Front R 220Ø Mm Induction 2300W Boost 3000W
Heat Settings	15 Heat Levels	
Booster	All 4 Zones	
Safety	Pan Detection Timers Overheating Protection Child Safety Lock Small Object Detection Overflow Protection Residual Heat Indicators Ventilation Fan Temperature Sensor Emergency Off Button	
Functions	99 Minute Auto-Off Timer For All Burners Automatic Pan Size Recognition Keep Warm, Low, Medium, High Presets	
Power	7200W (Total) 32Amps 240V 50Hz	
Warranty	2 Year Parts and Labour	

Dimensions 590w x 520d x 55h mm
Cut out 560w x 490d mm
Weight 11kg (Net) 12kg (Gross)

WHAT'S INDUCTION COOKING?

Induction cooking uses magnetic induction to heat the cooking pot/pan directly. An induction cooker is faster and more energy-efficient than a traditional electric or gas cooking surface. It allows precise instant control of the heat settings.

ULTRA POWERFUL BOOSTER

Boost function supercharges the selected cooking zone for a short period of time. This is Ideal for bringing liquid to a boil, stir frying or searing meat.

PAN DETECTION

Generates a more efficient cooking surface by only activating the electro magnetic field at the base of the pan within each cooking zone.

DETECTION OF SMALL OBJECTS

The cooking zones will automatically smart detect small objects like rings and not transfer heat.

HIGH, MEDIUM, LOW PRESETS

Once activated, a single touch of a button lets you reach a perfect temperature for boil, fry and simmer. An instant convenience when slow cooking or searing meats.

KEEP WARM FUNCTION

This function allows you to keep your dishes warm at a temperature ranging from 50-60°C for 2 hours.

10 SAFETY LEVELS

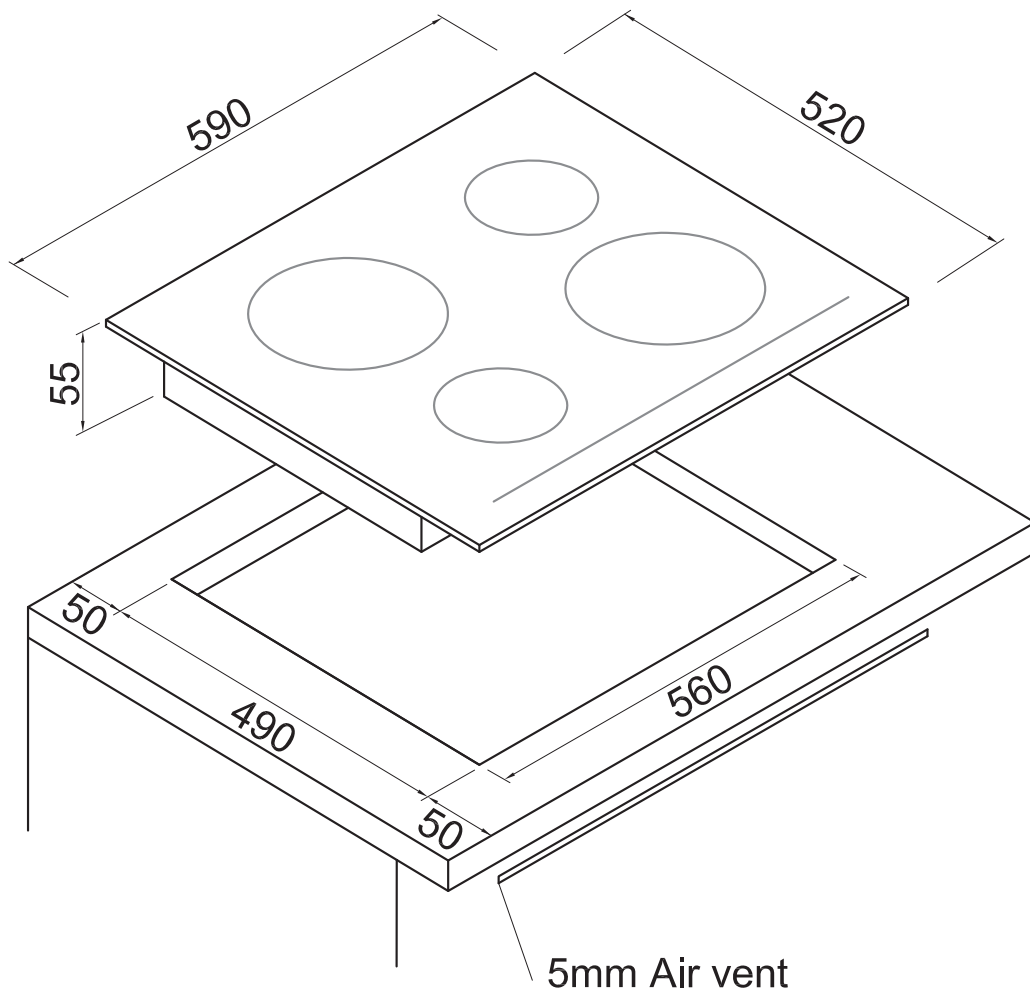
The Rosieres 4 zone induction cooktop incorporates 10 safety levels, making the induction cooktop the safest cooktop available. These include; Pan detection, timers, overheating protection, child safety lock, small object detection, overflow protection, residual heat indicators, ventilation fan, temperature sensor, emergency off button

PROGRAMMABLE MEMORY

This function lets you record up 10 heat setting changes over the course of 1.5 hours for the same dish. The dedicated button lets you run your programs as many times as you would like.

RPI430-AUS

ROSIÈRES 4 ZONE INDUCTION COOKTOP



PLEASE NOTE: Drawings are not to scale and are only to assist.
 Dimensions are in mm and are subject to nominal manufacturing variations