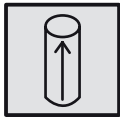


ASTCAN90SSGL

ASTIVITA 90CM GLASS CANOPY RANGEHOOD



3 speeds



150mm venting



LED Light



57db

noise



recirculating option



Finish	304 Grade Stainless Steel 6mm Toughen Glass
Speed	3 Speeds
Capacity	850m ³ /h
Venting	Ducting Or External Recirculating
Lighting	2x1.5W LED Lights
Filtration	2 pcs x 4 layer Aluminium Filter (ASTFIL90SSGL)
Noise	57 db
Power	280W (Total) 10Amp 240V 50Hz
Warranty	2 Year Parts and Labour

Dimensions	900w x 450-760h x 500d mm
Duct Size	150 mm
Weight	20kg (Net)

EXTERNAL VENTING

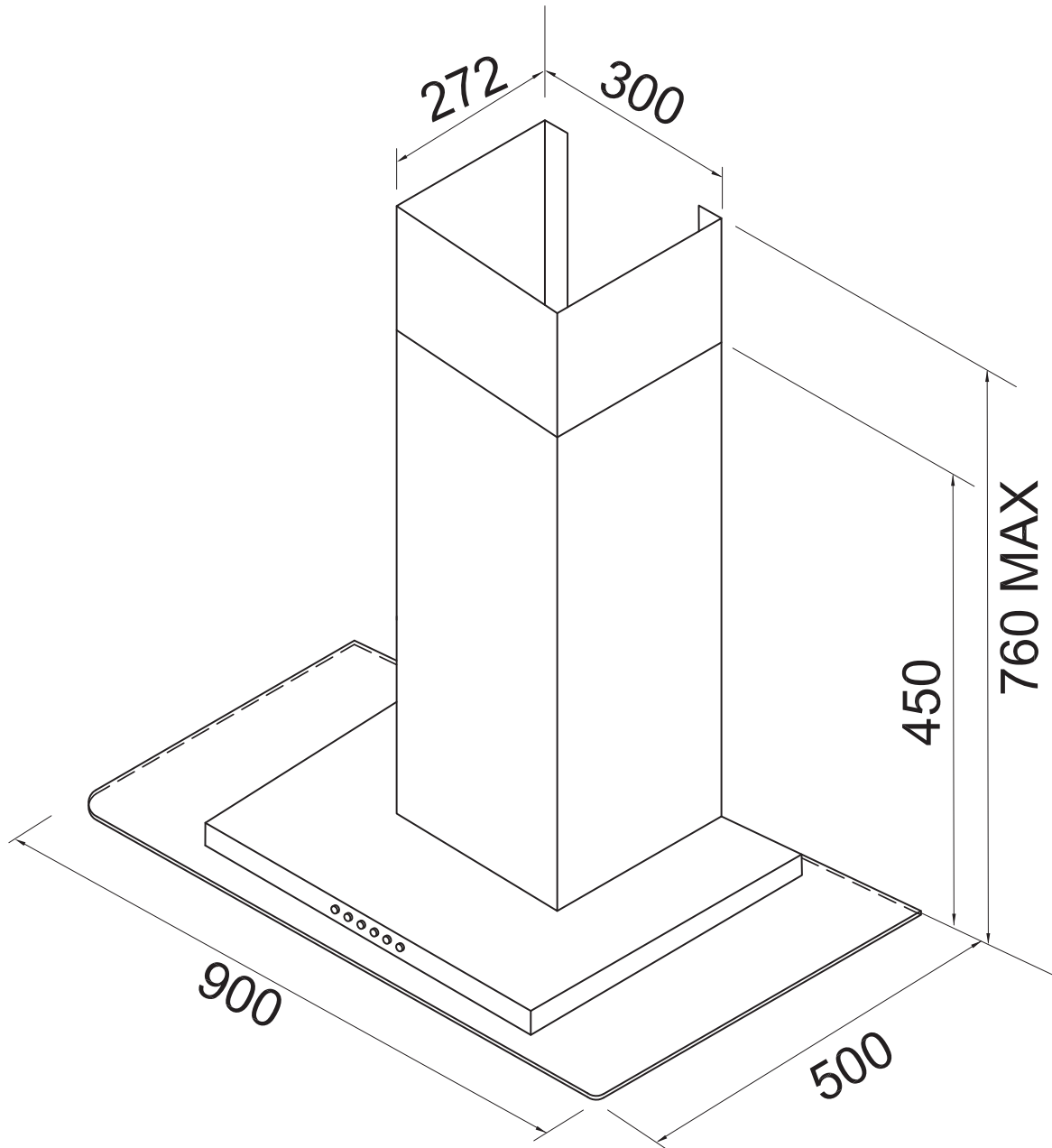
No carbon filters is necessary when you install the duct.

FILTERS

The grease filter need to weshed every 3 months, it can be washed in the dishwasher. The carbon filter needs to be replaced once every six months.

RECIRCULATING

The air that is drawn in is cleaned and returned to the kitchen through opening on the top of the range hood.



PLEASE NOTE: Drawings are not to scale and are only to assist.
Dimensions are in mm and are subject to nominal manufacturing variations