



ASTWINE24

Wine manual

1, the directory	1
2, the environmental impact report usersbook	2
3, safety precautions.....	2
4, Packing List	3
5, each part name.....	4
6, the product sizes.....	4
7, product technical parameters.....	5
8, electrical schematics.....	5
9, Installation Notes.....	6
10, product installation method.....	7
11, Product Note.....	7
12, the product method uses.....	8
13, wine storage and display.....	9
14, the ideal wine temperature reference table.....	10
15, the product of daily care and maintenance.....	11
16, common problems and solutions.....	12
17, maintenance requirements.....	13
18, warranty card.....	13

Users environmental impact report book

Protect the environment, prevent pollution. The company's products during use may cause environmental impacts,

Letter follows:

Cartons, plastic and other recyclable waste should be thrown into the trash after use specified category. Waste electrical

Pools and other hazardous waste, litter can cause serious environmental pollution, should be thrown into the appropriate recycling of waste

Things in the trash.

Safety Precautions

This appliance can be used by children aged from 8 years and above and persons with reduced physical, sensory or mental capabilities or lack of experience and knowledge if they have been given supervision or instruction concerning use of the appliance in a safe and understand the hazards involved.

-Children shall not play with the appliance.

-Cleaning and user maintenance shall not be made by children without supervision.

If the supply cord is damaged, it must be replaced by the manufacturer, its service agent or similarly qualified persons in order to avoid a hazard.

*WARNING-keep ventilation openings, in the appliance enclosure or in the built-in structure, clear of obstruction.

*WARNING-do not use mechanical devices or other means to accelerate the defrosting process, other than those recommended by the manufacturer.

*WARNING-do not damage the refrigerant circuit.

*WARNING-do not use electrical appliances inside the food storage compartments of the appliance, unless they are of the type recommended by the manufacturer.

This appliance is intended to be used in household and similar applications such as:

-staff kitchen areas in shops, offices and other working environments;

-farm houses and by clients in hotels, motels and other residential type environments;

-bed and breakfast type environments;

-catering and similar non-retail applications.

Do not store explosive substances such as aerosol cans with flammable propellant in this appliances.

1, due to the special nature of glass craft, the glass itself has the characteristics of the industry is 3‰ -5‰ self Burst rate, our company strictly controlled within 3‰ of

2, please use the rated current of 10A or more single outlet. There must be grounded. Do not use loose or poor contact Power outlet, otherwise easily lead to electric shock, short circuit, fire; useful if an outlet with other appliances, it is possible Will appear abnormal heat caused the fire.

3, pull the plug socket, the ends must grip the plug and pull it out, do not pull the power cord holding the plug,

Otherwise, electric shock, short circuit, fire and other dangerous prone.

4, Do not soak in water or product to product water, otherwise there is the risk of a short

circuit or electric shock.

5, Do not use the AC 187-242V outside, otherwise it will cause a fire or electric shock.

6, please do not educate children alone and playing, otherwise easily lead to burns, electric shock and other accidents

7, in addition to professional repair technician, do not disassemble and repair transform yourself.

8, if not using the machine, unplug or turn off the power supply of this product.

9, when the power supply is damaged, must be sent to professional service points into the replacement.

10, when the power cord is damaged, it must be replaced to a professional service points.

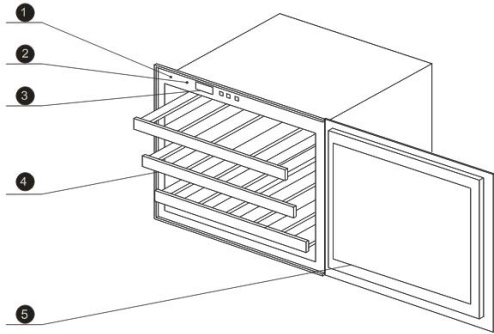
11, near the bar, do not store or use gasoline and other flammable items, to avoid fire

12, prohibited unauthorized demolition, alteration wine cooler, refrigeration piping ban man-made damage, repairs must be performed by a professional wine Qualified personnel to carry out

Packing List

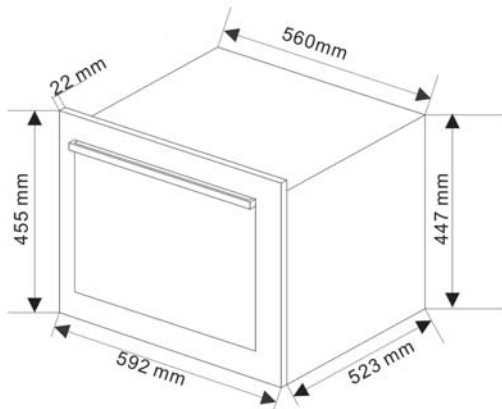
NO.	Box contents	ASTWINE24			
1	Host	1 Taiwan			
2	Host packaging bags	1			
3	Instructions	1			
4	Warranty Card	1 part			
5	Certificate	1			
6	Mounting screws	1 set			
7	Box	1			
8	Packaging foam	1 set			
9	Stainless steel cleaning cloth	1 package			

Part Names



- ①Lighting Indicator
- ②Power Indicator
- ③Switching Display
- ④Shelves
- ⑤door

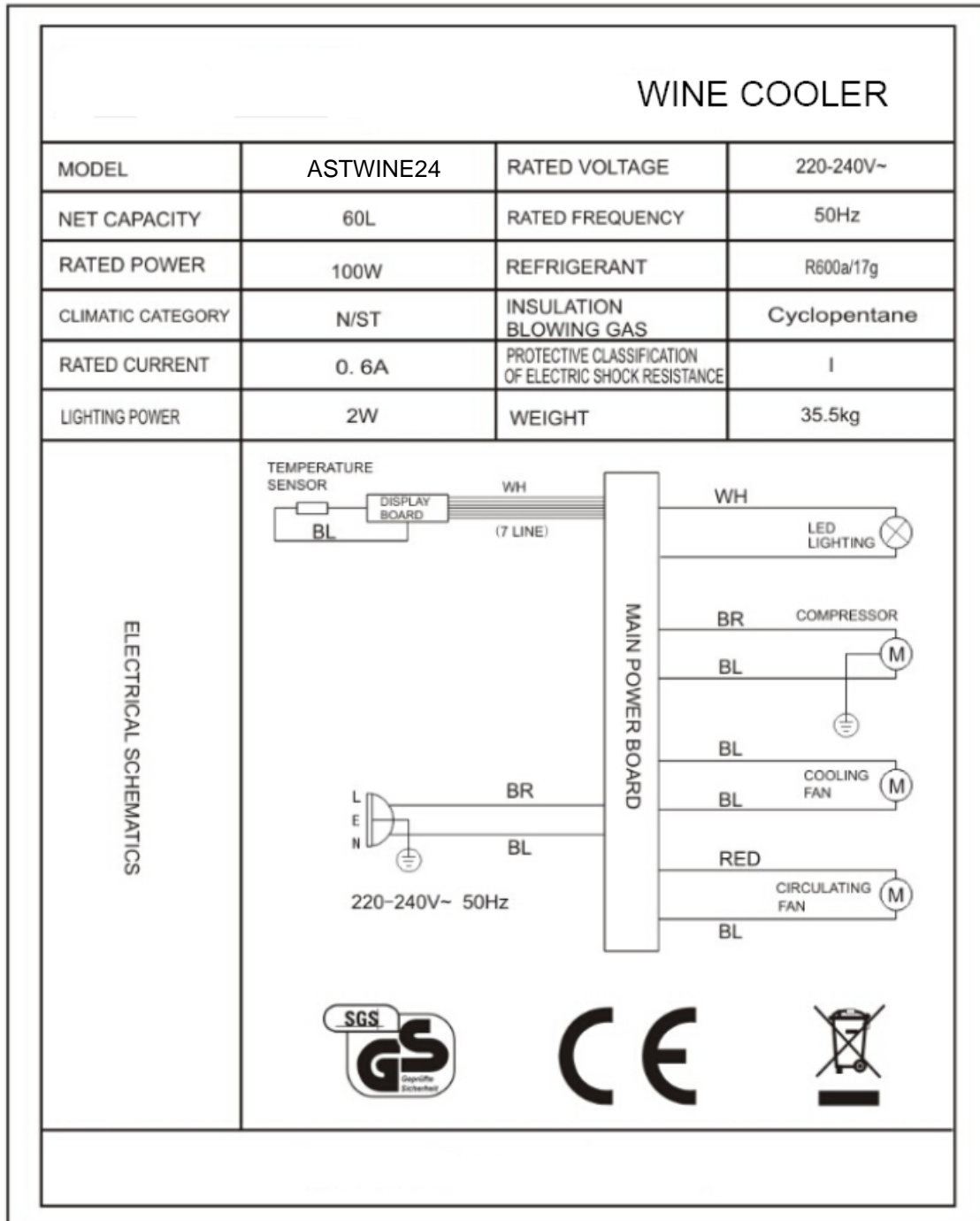
Product Specifications



Technical Data

Product Name	
Type	ASTWINE24
Rated voltage	220-240V~
Rated frequency	50Hz
Rated Power	100W
Volume of	60L
Refrigerant	R600a/17g
Noise	42db
Size	595*455*618(W*H*D)
Embedding dimension	566x446x618 (Fixed buckle 5mm Under the fixed buckle 3mm) (W*H*D)
Package Size	712x520x708 (W*H*D)
Standard	"EN 60335-1:2012, EN 60335-2-24: 2010"

Electrical schematics



Parts or electrical wiring are subject to change without notice.

Installation Notes

1, wine cooler to be placed on a flat firm surface, for booster, also need to choose a smooth, hard, non-flammable pad, do not use wine packaging foam pad to elevate wine

2 Do not splash water on wet or easy place, splashing water and dirt should be wiped clean with a soft cloth to prevent rust and affect the electrical Gas insulation properties

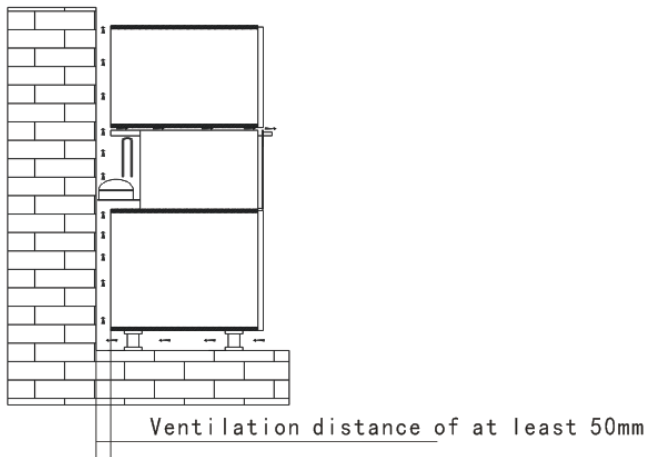
3, wine should be away from heat sources and avoid direct sunlight, so as not to affect the performance of wine cooler

4, must confirm that the power outlet grounding is valid.

5, should be placed from the bottom of the lift moving, light moving light.

6, when the inclination of not more than 45 wine transport and handling after an interval of 10 minutes or more parties can be energized to run Cabinet

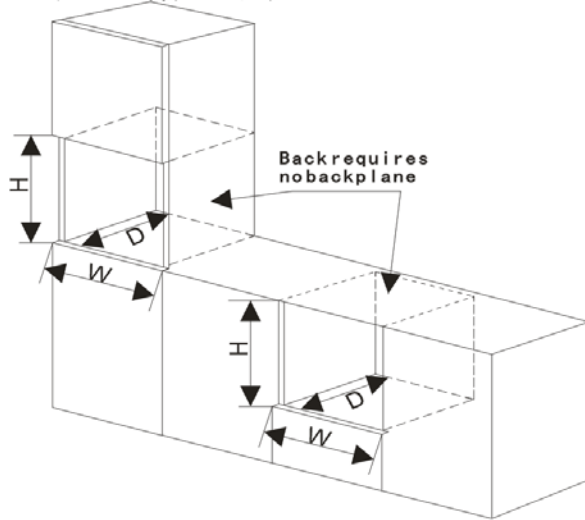
7, flush mounted inside the cabinet, the cabinet has a good space for heat dissipation requirements, otherwise it will shadow the normal use of the machine, install the No child back, radiating to the following illustration:



Installation method

1, set in the cabinet position, the hole should be the appropriate size of the cooler body smoothly embedded square hole in the side of the requirements

Hole size chart at right shows:



Product installation size table

Model	Hole Size
ASTWINE24	W566*H446*D618(The buckle 5mm, Under the buckle 3mm)

2. Wine cooler installed in the cabinet, there must be a reliable fixation, requires cooler holes in the door frame around the sides, marked screws.

Product Note

1, before the first of the use of wine cooler interior cleaning

2, wine placed leveling, after cleaning, the first not power on, let stand for 30 minutes or more wine and then power, to ensure Jean-Paul freezer normal operation

3, under normal circumstances do not disable the bar, so as not to affect the wine life. After unplugging the power, for at least five minutes interval, To turn on the power again

4, Do not disconnect the power supply wine cooler, wine cooler because power failure will cause the temperature to rise, and will shorten the shelf life of liquor and Reduce the quality of its drinking

5, when the storage of liquor, should retain a certain gap between the bottle and the air circulation in favor

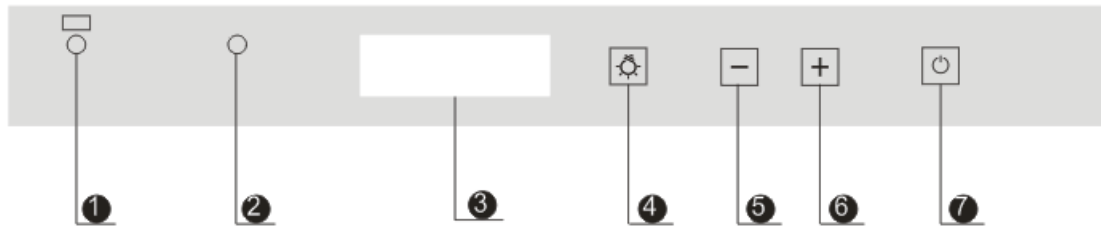
6, is strictly prohibited rinse body, do not use gasoline and other organic solvents to clean the body.

7, if the power cord is damaged, in order to avoid dangerous and must, professionals in their maintenance department or similar sectors replaced by the manufacturer.

8, all of the electrical outlets must have reliable grounding.

Product Usage

Control Panel



①Lighting Indicator

④Lighting key

⑦Power button

②Power Indicator

⑤"—"key

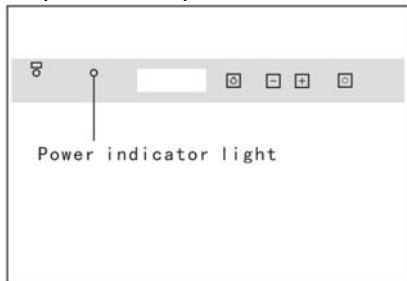
③Display

⑥"+"key

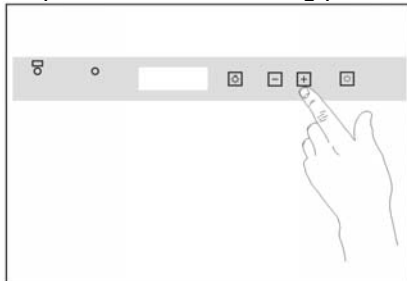
Getting Started

1, the temperature setting

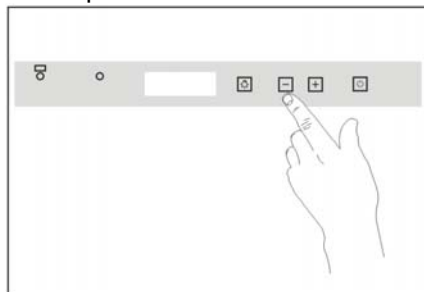
Step 1: Host a power, then automatically enter the working state, the power indicator light.



Step 2 : In this state, long press the "+" key, 1.5 seconds flashing digital displays.



Step 3: Press the "+" or in this state, "-" keys to set the desired temperature (4-18c), the end of the operation.



Detailed instructions

1, the start of work: Click "☰" power key, the wine display bright, power indicator light, the machine into working shape State; then click the "☰" power key, the wine display is off, the machine is turned off.

2, the temperature settings: in working condition, press the "+" key 1.5 seconds, the digital display flashes, then press the "-" key Or "+" to set the desired temperature (Most wine temperature is 12c, see the ideal thermometer).

3, the lighting function: In working condition, press the "☀" key lights, the bright lights, and then click "☀" Lighting Light the lights off key.

Products Daily Care and Maintenance

Note: To play the machine for optimum performance and prolong its life, should always pay attention to maintenance. Must unplug the power plug before maintenance
And turn off the power has been confirmed.

1, not to pull on the cable to the wine's power plug from the outlet.

Dust 2, once every two years to clean the condenser (cooler back surface of the metal mesh) on

3, thorough cleaning once a year wine inside, please pull the plug when cleaning, and empty wine cooler, then gently scrub with a damp cloth cabinet

4, more moisture environment or in the rain, cooler surface condensation may occur, especially glass door surface, which is composed of
In contact with moisture in the air to the cooler surface, please use a dry cloth to dry.

5, in order to ensure the long-term normal use of wine, please regularly check the user, such as abnormal use, please notify the vendor

Bottle store

The main role is to make sure you store wine stored under optimal conditions.

At the factory has been set up 12c, which is a most suitable for the storage of temperature.

Wine has a complex nature, it has a length from the processing in order to express its optimal characteristics, which require specific ring

Environment, all of the wine manufacturing at the same temperature, but due to their different qualities, and taste to be deposited at different temperatures (

View the table

"Ideal wine temperature")

Therefore, manufacturers of wine, the absolute temperature value is not important for the preservation of wine is concerned. However, in a certain time

Within the stable temperature is very important. Collection of wine at any temperature are ideal, as long as the temperature does not change.

Manual temperature control

When your wine cooler connected to power, the display will show the temperature inside the wine cooler. Beginning it is set to 12c, and will remain

Stable. If you want to adjust the temperature in accordance with the following instructions to perform:

1 When your wine cooler connected to the power supply, the display will show good temperature has been set.

2 Press and hold the + button one second, watch the control panel, temperature indicator will begin to blink.

Press the + or - keys to adjust to your desired temperature.

4, 5 seconds, the temperature will stop blinking.

5 and so the temperature reaches the temperature you set, then go into the bottle.

LED lights inside the case of artificially controlled lighting when not in use, please turn off, this will help you achieve faster design

A given temperature, reducing the energy consumption.

Bottle placed

Standard 24 bottles placed

Recommends 24 bottles (standard, hybrid and Rhenish wine bottles) placed visible and easy to move.

Standard

24 bottles (100% swing down)

3 gallows

The bottle

Put three wooden slot above the bottom can also be placed six wine bottles

We recommend that you put the bottle into the bottom of the wooden Rhenish, or the bottom of the cooler, because they are to support a larger bottle designed

Meter.

Security can only be placed 22 wooden bottle.

Champagne bottles placed

Bottle of champagne bottles larger than standard, so they must be put to the bottom of wine, so the above can be stacked to 5 bottles.

If you want to put more than five bottles of wine champagne inside, you remove the first three wooden frame, then put the bottle into two layers, so the above is

You can heap to nine bottles.

Ideal wine temperature

The following tells you different temperatures in different liquor store if you need to store wine reduction temperatures cooler than the temperature inside

More suitable, we recommend that you put out wine, wine cooler temperatures appropriate to wait until then to go into the wine.

Armagh Ronnie classic red 17°C

Barbaresco wines 17 °C

Barolo wine 17°C

Bo Nuolai red wine 13°C

Bordeaux white wine 6°C

Dry white wine 8°C

Bordeaux 17°C

White Burgundy wines 11°C Lang
 Red Burgundy wines 18°C Lang
 Brunello wine 17°C
 Champagne 6°C
 Classic Chianti 16°C
 Languedoc and Roussillon 13°C
 Passito di Pantelleria wine 6°C
 Provence rose 12°C
 Dried sweet sparkling wine 6°C
 Trentino white wine 11°C
 Fa Lanqia wide Jorda white wine 11°C
 10°C aromatic dry white wine
 Small dry fruity white wine 8°C
 Buddha Friuli Venice Julia white wine 11°C
 Luo Danuo wine 15°C
 Loire dry white wine 10°C
 Hurley mouth Loire wines 10°C
 Loire red wine 14°C
 Pasaituoli port wine 8-18 °C
 Rose wine, new wine 12°C
 Accompanied malt tannins light red wine 14 °C
 Red, somewhat tannic wine 16°C

Common Faults and treatment methods

If you happen anomaly in use, please stop using and unplug the power cord, and check to make sure the following. If necessary, Please contact our service center

State	Causes and treatment	
Excessive noise	Wine Place unstable	Please keep the wine stable placement, placement is not smooth operation
Wine does not work	Wine is no power	Open Power
	PC board is damaged	Notify the manufacturers maintenance
Cabinet door surface condensation	Door open too often or for too long a time the door is open	Do not leave the door open or frequent switching
	External environment humidity	Please use a dry cloth can
	Wine cooler temperature setting is very low	Please set the appropriate temperature
Lamp is not lit	Lighting damage	Notify the manufacturer to replace the lamp
Cooler running, issued a "flap" sound	Wine started, stop using the process, start voice relay, thermal protection, and other electrical components caused	

Maintenance requirements

Dear user:

Thank you for choosing to use day-long wine products, our company will be in accordance with the relevant provisions "Consumer Protection Law" and my public Secretary of the sincere commitment of users, by virtue of the warranty card and a valid proof of purchase, to provide you with the following services:

1, consumers can enjoy the normal use of the warranty period commencing from the date of a whole year free warranty service

2, the warranty period calculation method: product warranty period from the date of the preferred sales date +90 days (contract date for the sale date),

Second choice to install a single date +30 days, then select the date of manufacture by barcode query +120 days;

3, repair and replacement of parts during the warranty period of its ownership of the company owned by all;

4, one of the following situations occur in accordance with national regulations, are not part of the Company under warranty, the repair charges should be implemented:


a, maintenance personnel of the Company disassembly, repair damage;

b, do not follow the instructions require the use of precautions;

c, due to force majeure (fire, earthquake, flood, lightning, and other natural disasters) cause a malfunction and damage;

d, or non-self-repair overhaul or use of voltage is lower than 187V or higher than 242V damaged;

e, after a free warranty period of the product.

Correct Disposal of this product	
	This marking indicates that this product should not be disposed with other household wastes throughout the EU. To prevent possible harm to the environment or human health from uncontrolled waste disposal, recycle it responsibly to promote the sustainable reuse of material resources. To return your used device, please use the return and collection systems or contact the retailer where the product was purchased. They can take this product for environmental safe recycling.

Warranty card pasted at